



## ENGINE

Make	YANMAR 4TNV88
Emissions Certification	Tier 4 Interim
Type	Naturally aspirated
Cylinders	4
Bore/Stroke	3.46 x 3.54 in (88 x 90 mm)
Displacement	134.3 in <sup>3</sup> (2.2 L <sup>3</sup> )
Fuel	#2 Diesel
Cooling	Liquid
Rated engine speeds	2500 RPM
Horsepower @ rated RPM:	
Gross	41.6 hp (31.0 kW)
Net	40.4 hp (30.1 kW)

## DRIVETRAIN

Drive	Hydrostatic
Max. working speed	3.7 mph (6.0 kph)
Max. travel speed	6.2 mph (10.0 kph)
Service brake	Hydrostatic
Parking brake	SAHR
Emergency brake	SAHR
Drum drive	Front and rear
Drive pump motors:	
Variable displacement	1
Fixed displacement	2
Max. relief pressure	6,454 psi (44.5 MPa)
Gradeability (vibration off)	30% (40%)

## ELECTRICAL

Voltage	12 Volts
Battery	1 x 12 Volt
Battery reserve capacity	77 Ah/20 hour
Cold cranking amps	760 CCA

## OPERATOR ENVIRONMENT

Insulated from chassis by flexible shock absorbers; Handrail; Instrument panel; Anti-vandal guard; Lateral sliding seat; Foldable ROPS protection; Smooth single lever speed and direction control w/vibration and water on/off controls.

## OPERATING WEIGHT

Operating weight	10,252 lb (4 650 kg)
Max. weight	11,244 lb (5 100 kg)
Static linear load	94.2 lb/in (16.8 kg/cm)

## SERVICE CAPACITIES

Fuel tank	15.6 gal (59 L)
Engine oil	39.1 qt (37 L)
Hydraulic system – reservoir	9.8 gal (37 L)
Water tank	92.5 gal (350 L)

## OTHER SPECIFICATIONS

Steering:	
Type	Oscillation/Articulated
Method	Hydrostatic
Pump type	Gear
Steering angle – left and right	32°
Oscillation angle +/-	8°
Inside turning radius	103 in (2 621 mm)
Outside turning radius	161 in (4 084 mm)

Vibration:	
System design	Series
Pump type	Gear
Drum vibration	Front and rear
Number of amplitudes	2
Frequency:	
Low	2,700 vpm (45 Hz)
High	3,420 vpm (57 Hz)
Amplitude:	
Low	0.014 in (0.36 mm)
High	0.217 in (0.55 mm)
Centrifugal force – each drum:	12,364 lb (55 kN)

## STANDARD EQUIPMENT

### OTHER

Foldable ROPS  
Anti-vandal guard  
Hydrostatic drive for both drums  
Articulated chassis  
Hydraulic oil cooler  
Backup alarm  
Tapered drum edges  
Vulcollon scrapers – adjustable  
Master disconnect switch  
Horn  
Hourmeter  
4-point lift and tie down provision  
Flip open hood  
Spin-on fuel, engine oil, and hydraulic filters  
Steering wheel spinner knob

## OPERATOR ENVIRONMENT

Lateral moving suspension seat w/ foldable arms  
2 in (51 mm) retractable seat belt  
Emergency stop button  
Electric fuse protection  
Drive lever with vibration and water switch

## INDICATOR LIGHTS

Battery  
Engine oil pressure  
Intake preheater  
Engine temperature  
Parking brake on/off  
Hydraulic oil temperature  
Low fuel indicator  
Worklight indicator  
Turn signal indicator  
Fuel gauge  
Operator hours

## WATER SYSTEM

Pressurized water system  
2-stage water filtration  
Water system drains  
92.5 gal (350 L) Polyethylene water tank

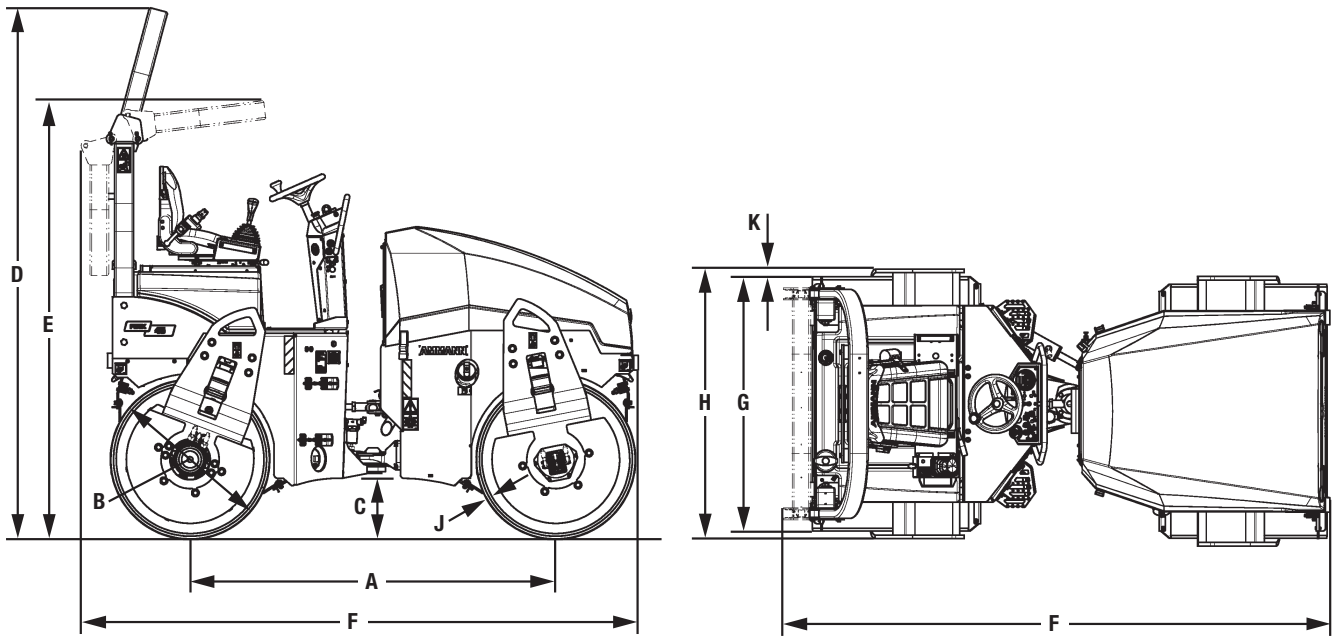
## VIBRATION SYSTEM

Dual vibration  
Dual frequency vibration  
Front/Dual drum vibration control  
Auto vibration stop in neutral

## OPTIONAL EQUIPMENT

### OTHER

Rotating beacon  
Weather canopy  
Steel canopy  
3 in wide seat belt  
Tiltable drum scraper  
Infrared thermometer  
Edge cutter  
2 Front and 1 Rear road light, turn signals and flashers  
Traction assist  
2 lights on ROPS (N/A on Weather Canopy)  
Arm rests on seat  
Right & Left Side drive levers  
Heated seat  
ACE Force Intelligent compaction  
Locking water tank cap



Line drawings are for illustrative purpose only and may not be exact representation of unit.

### DIMENSIONS

A. Wheelbase	76.8 in (1 950 mm)
B. Drum diameter	33.5 in (850 mm)
C. Ground clearance	12.8 in (325 mm)
D. Overall height	111.0 in (2 826 mm)
E. Folded ROPS height	84.8 in (2 155 mm)
F. Overall length	117.0 in (2 971 mm)
G. Drum width	54.3 in (1 380 mm)
H. Overall width	59.1 in (1 503 mm)
J. Drum thickness	0.7 in (17 mm)
K. Drum offset	1.6 in (40 mm)

## CaseCE.com

©2017 CNH Industrial America LLC. All rights reserved. CASE is a trademark registered in the United States and many other countries, owned by or licensed to CNH Industrial N.V., its subsidiaries or affiliates. CNH Industrial Capital is a trademark in the United States and many other countries, owned by or licensed to CNH Industrial N.V., its subsidiaries or affiliates. Printed in U.S.A. Contains 10% post-consumer fiber.

IMPORTANT: CASE Construction Equipment Inc. reserves the right to change these specifications without notice and without incurring any obligation relating to such change. Availability of some models and equipment builds vary according to the country in which the equipment is used. The illustrations and text may include optional equipment and accessories and may not include all standard equipment. Your CASE dealer/distributor will be able to give you details of the products and their specifications available in your area.



CASE Construction Equipment is biodiesel-friendly. NOTE: All engines meet current EPA emissions regulations. All specifications are stated in accordance with SAE Standards or Recommended Practices, where applicable.



Always read the Operator's Manual before operating any equipment. Inspect equipment before using it, and be sure it is operating properly. Follow the product safety signs and use any safety features provided.

Form No. CCE201704DV45  
Replaces Form No. CCE201303DV45